

Liebert® GXT4™ UPS, 500VA -3000VA

Intelligent, Reliable UPS Protection

Liebert GXT4 is a true on-line UPS that delivers continuous, high-quality AC power to connected equipment with no interruption when transferring to battery. It provides protection from blackouts, brownouts, sags, surges or noise interference.

For robust UPS protection up to 3kVA, the Liebert GXT4 UPS provides industry leading features in a compact design:

- On-line design means zero transfer time. When utility power fails, your critical load remains supported by a seamless flow of power.
- Highest level of protection available in this capacity range.
- Selectable Eco-Mode allows improved energy efficiency.
- Easy serviceability with replaceable, hot-swappable batteries.
- Controllable power to multiple devices via two independently programmable pairs of outlets.
- ENERGY STAR® qualified models available.
- Intelligent-ready networking.
- Optional Unity card offers compatibility with environmental sensors (temperature, humidity, door open status and more).

Ideally suited for:

- Mission critical applications and systems
- Network workstations
- Servers
- IDF/Network closets
- Large network peripherals
- VoIP
- Workstations



The Liebert GXT4 UPS package includes everything you need for a fast and easy installation:

- UPS
- Tower stands
- Rackmount rails
- Hardware
- CD with software and manuals
- Convenient lifting straps
- Cables and ties

Liebert GXT4 UPS Flexible, Reliable and Low Total Cost Features

The Proven Reliability Of True On-Line Operation With The Features You Need Most

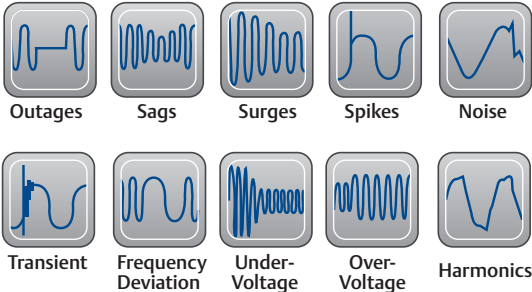
The Liebert® GXT4™ UPS requires just a slim 2U of rack space, but provides the capabilities often found only in larger systems. Get up to 3kVA of capacity and battery backup. External battery cabinets may be added for extended run time.

Liebert GXT4 UPS is a true on-line power source, which means power is always being conditioned and supplied to the connected device(s), whatever the quality of power coming in, a pure sinewave output results to ensure equipment is protected.

Liebert GXT4 UPS includes:

- Power factor correction
- Internal batteries
- Frequency conversion
- Internal automatic bypass to protect against adverse conditions
- Manual bypass capability
- Support for up to six external battery cabinets

Full Protection from Damaging Power Problems.



Flexibility:

Two Controllable Outlet Groups

Can be programmed for load shedding and sequential restart if the UPS is in overload or when selected backup time remains.

Rotatable Display Panel

The color LCD display panel rotates 90° to make the readout easy to see in rack or tower installations.

Automatic Frequency Sensing

The UPS automatically adjusts to the input frequency, 50Hz or 60Hz, and can also be programmed to convert from one to the other.

Mounting Flexibility

Rack rails and tower supports included.

Intelligent Communications

DCIM and BMS ready.

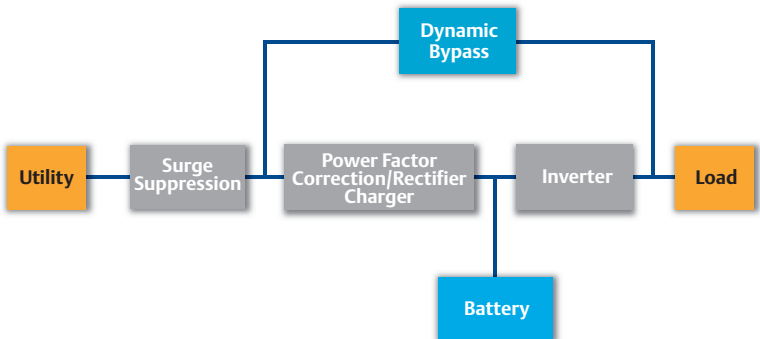


ENERGY STAR® qualified
UPS models

**Power Assurance Package
Provides Comprehensive
On-site services**

- **Five-year protection plan** with 100% parts coverage and 7x24 emergency service.
- **On-Site installation and start-up** to provide pain-free multi-site rollout management and free you from hazardous material disposal in your existing UPS, when applicable.
- **On-site service support** to free up time-strapped IT resources.
- **Preventative Maintenance** to reduce the worry of downtime and ensure rapid recovery.

**On-Line, Double Conversion UPS Protection
for Critical Applications**





Liebert® GXT4™ UPS contains internal batteries, and is also able to support up to six external battery cabinets – also 2U size.

High Availability:

Advance Early Warning of UPS System Status
Multiple audible and visual alarms immediately alert you to critical issues.

3-17 minutes of Battery Backup Time at Full load
Provides ample time for an orderly shutdown. Optional matching external battery cabinets offer additional backup time.

Overload Capability
Designed to handle output overload conditions.

Periodic Battery Testing
Provides automatic and manual self-diagnostic battery testing for peace of mind to indicate if the battery is healthy.

Replaceable Hot Swappable Batteries
Easy to replace batteries to protect your investment by extending the product life.

Power-Factor Correction
Prevents noise, harmonics and distortion from being passed on to connected loads or from being fed back to the utility.

Internal Automatic and Manual Bypass Capability
Assures continuity of power to critical loads at all times. Convenient for times of battery maintenance.

Intelligent Battery Management
Includes efficient three-stage charging technique and comprehensive discharging protection that extends battery life.

Input Circuit Breaker
Provides increased protection to ease recovery from overloads.

Lightning and Surge Protection
The transient voltage surge suppression (TVSS) circuitry inside Liebert GXT4 UPS provides additional protection for the connected equipment.

Low Total Cost Of Ownership:

High Output Power Factor
Liebert GXT4 UPS rated output power factor up to 0.9 better matches switch-mode power supplies used in today's IT equipment, providing more efficient utilization of the UPS.

Selectable ECO-Mode
Connected equipment can be powered through the bypass while the inverter remains idle, reducing electricity consumption.

Wide Input Voltage Window
Prolongs battery life by allowing the UPS to maximize the use of utility power before transferring to battery when input voltage exceeds specified limits.

Intelligent Fan Operation
Automatically changes rotation speed depending on system requirements to decrease power consumption and noise.

Warranty Protection
The industry's best warranty – No-hassle two-year warranty with advanced UPS replacement in the event of problems. Shipping is free for both original UPS return and the replacement unit. Optional one-year and three-year extensions also available.

Multiple Choices For Communication, Shutdown And Reporting:

The optional Unity communications card has been enhanced with direct sensor support.

- Up to 10 Liebert sensors can be wired in series and can report a discrete SNMP trap when their status changes.
- Any SNMP monitoring and notification software, such as Liebert Nform can be used to monitor a change in state of these sensors.
- Monitor temperature, humidity, door open status, leak detection and more



The Liebert GXT4 UPS is also fully compatible with:

- Liebert MultiLink™ shutdown software –included with the Liebert GXT4 UPS
- Liebert Nform™ monitoring software
- Liebert Multiport multiplexing unit
- Liebert Intellislot Relay Interface Card
- Liebert SiteScan
- Trellis™ Platform
- USB Communications

Optional Liebert MicroPOD™ Output Distribution And Maintenance Bypass Module

When your computer system can't be without power, even for scheduled UPS maintenance, the Liebert MicroPOD Maintenance Bypass and Output Distribution Unit ensures continuous uptime. It allows you to manually transfer connected equipment to utility power via a maintenance bypass switch, permitting scheduled service or UPS replacement without the need to shut down connected equipment. Features include:

- 2U height minimizes rack space requirements
- Installs with plug-and-play ease
- Two-year, no-hassle replacement warranty



Liebert MicroPOD

Specifications

Parameters	GXT4-500RT120 (500VA/450W)	GXT4-700RT120 (700VA/630W)	GXT4-1000RT120 (1000VA/900W)
Dimensions, D × W × H, in. (mm)	16.2 x 16.9 x 3.4 (408 x 430 x 85)		
Weight, lb (kg)	40 (18.2)		
Input AC			
Voltage Range (typical)	120VAC nominal; variable based on output load		
Frequency	40Hz ~ 70Hz; Auto Sensing		
Input Power Cord	10 ft. attached w/ NEMA 5-15P plug		
Output AC			
NEMA Output Receptacles	5-15R × 6		
Voltage	110/115/120VAC (user-configurable); ±3%		
Waveform	Sine wave		
Battery			
Type	Valve-regulated, nonspillable, lead acid		
Qty × V × Rating	4 × 12V × 5.0Ah		
Battery Part #	GXT4-5A48BATKIT		
Agency			
Safety	UL 1778, cUL Listed		
RFI/EMI	FCC Class A		
Surge Immunity	IEC 62040-2 2nd Ed		
Transportation	ISTA Procedure 1A		
ENERGY STAR® qualified	No	Yes	Yes

Parameters	GXT4-1500RT120 (1500VA/1350W)	GXT4-2000RT120 (2000VA/1800W)	GXT4-3000RT120 (3000VA/2700W)	GXT4-3000RT208 (3000VA/2700W)
Dimensions, D × W × H, in. (mm)	19.7 x 16.9 x 3.4 (497 × 430 × 85)		23.7 x 16.9 x 3.4 (602 × 430 × 85)	
Weight, lb (kg)	54.6 (24.8)	56.1 (25.5)	71.4 (32.4)	
Input AC				
Voltage Range (typical)	120VAC nominal; variable based on output load			115-280VAC
Frequency	40 - 70Hz; Auto Sensing			
Input Power Cord	10 ft. attached w/ NEMA 5-15P plug	10 ft. attached w/ NEMA 5-20P plug	10 ft. attached w/ NEMA L5-30P plug	10 ft. attached w/ NEMA L6-20P plug
Output AC				
NEMA Output Receptacles	5-15R × 6	5-15/20R × 6	L5-30R×1 +5-20R×6	L6-20R×1 +L6-15R×2
Voltage	110/115/120VAC (user-configurable); ±3%			208/220/230/240 VAC (user-configurable); ±3%
Waveform	Sine wave			
Battery				
Type	Valve-regulated, nonspillable, lead acid			
Qty × V × Rating	4 × 12V × 9.0Ah		6 × 12V × 9.0Ah	
Battery Part #	GXT4-9A48BATKIT		GXT4-9A72BATKIT	
Agency				
Safety	UL 1778, c-UL Listed			
RFI/EMI	FCC Class A			
Surge Immunity	IEC 62040-2 2nd Ed			
Transportation	ISTA Procedure 1A			
ENERGY STAR® qualified	Yes	Yes	Yes	Yes

Emerson Network Power Global Headquarters

1050 Dearborn Drive
P.O. Box 29186
Columbus, Ohio 43229
800 877 9222 Phone (U.S. & Canada Only)
614 888 0246 Phone (Outside U.S.)
Contact@EmersonNetworkPower.com

Emerson Network Power Caribbean and Latin America

Office – United States of America
+1-954-984-3452 Phone
Ask.Cala@Emerson.com

Emerson Network Power Canada

3580 Laird Rd Unit 1
Mississauga
Ontario L5L 5Z7
+1 905 569 8282
Ask@EmersonNetworkPower.com

liebert.com 24 x 7 Tech Support

800 222 5877 Phone
614 841 6755 (outside U.S.)

EmersonNetworkPower.com

While every precaution has been taken to ensure accuracy and completeness in this literature, Liebert Corporation assumes no responsibility, and disclaims all liability for damages resulting from use of this information or for any errors or omissions.

© 2015 Liebert Corporation. All rights reserved throughout the world. Specifications subject to change without notice.

All names referred to are trademarks or registered trademarks of their respective owners.
© Liebert is a registered trademark of the Liebert Corporation.

SL-23186 (R03/15) Printed in USA

Emerson, Emerson Network Power and the Emerson Network Power logo are trademarks and service marks of Emerson Electric Co.
©2015 Emerson Electric Co.